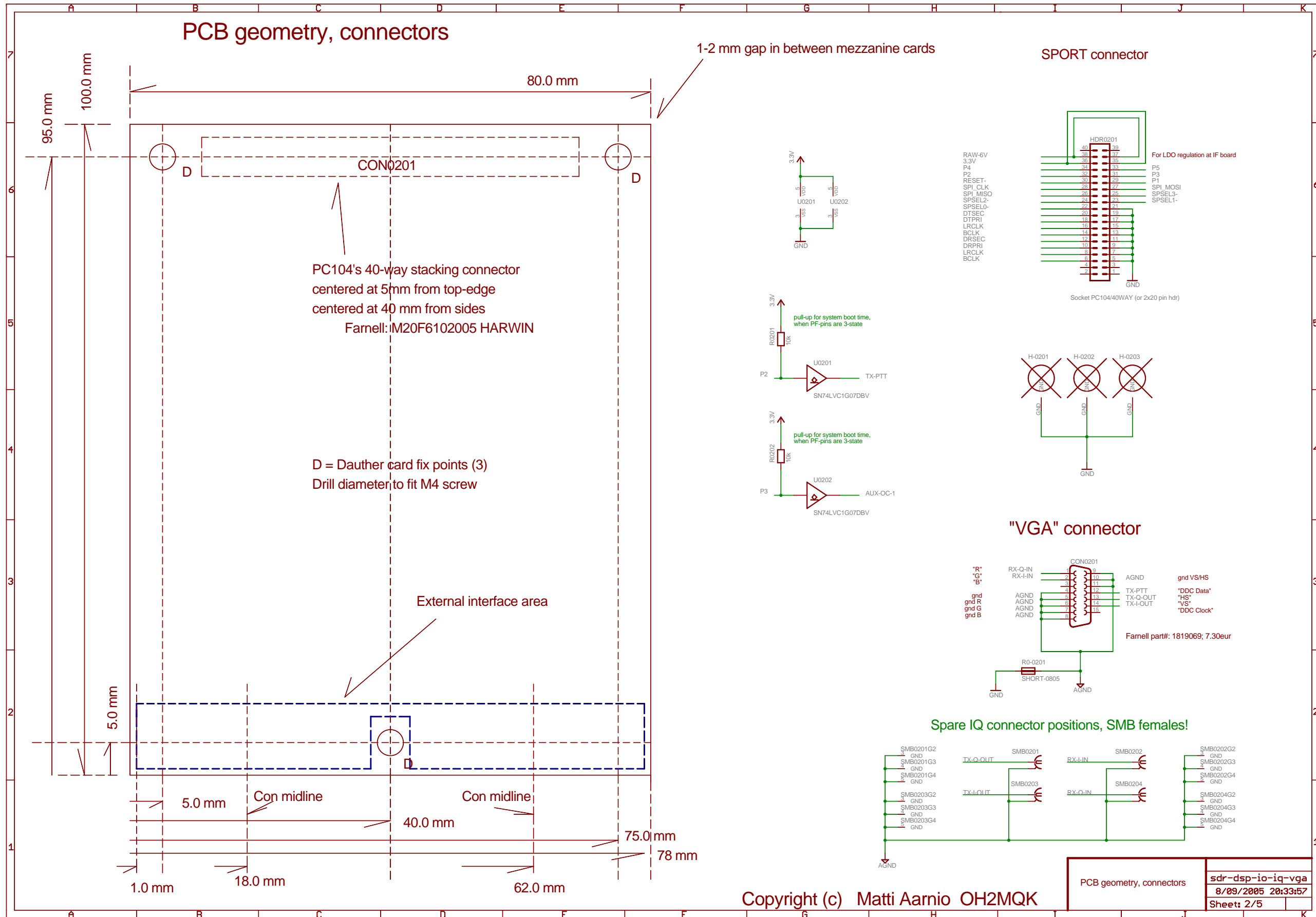


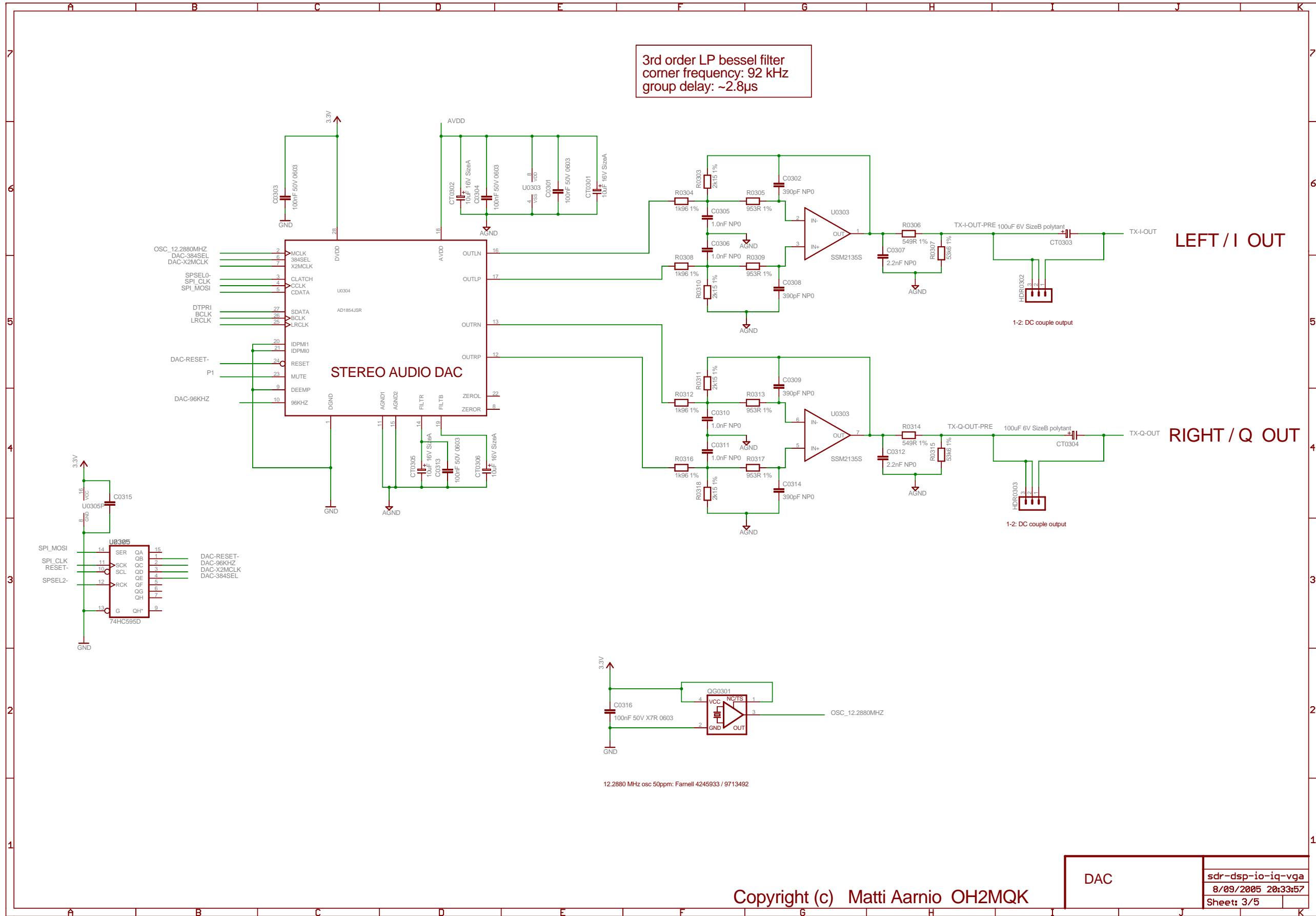
# SDR-DSP-IO-IQ-VGA (-1)

- 1 Index
- 2 DSP interface connector, PCB dimensions, fixing points
- 3 DAC
- 4 ADC
- 5 Power

Copyright (c) Matti Aarnio OH2MQK

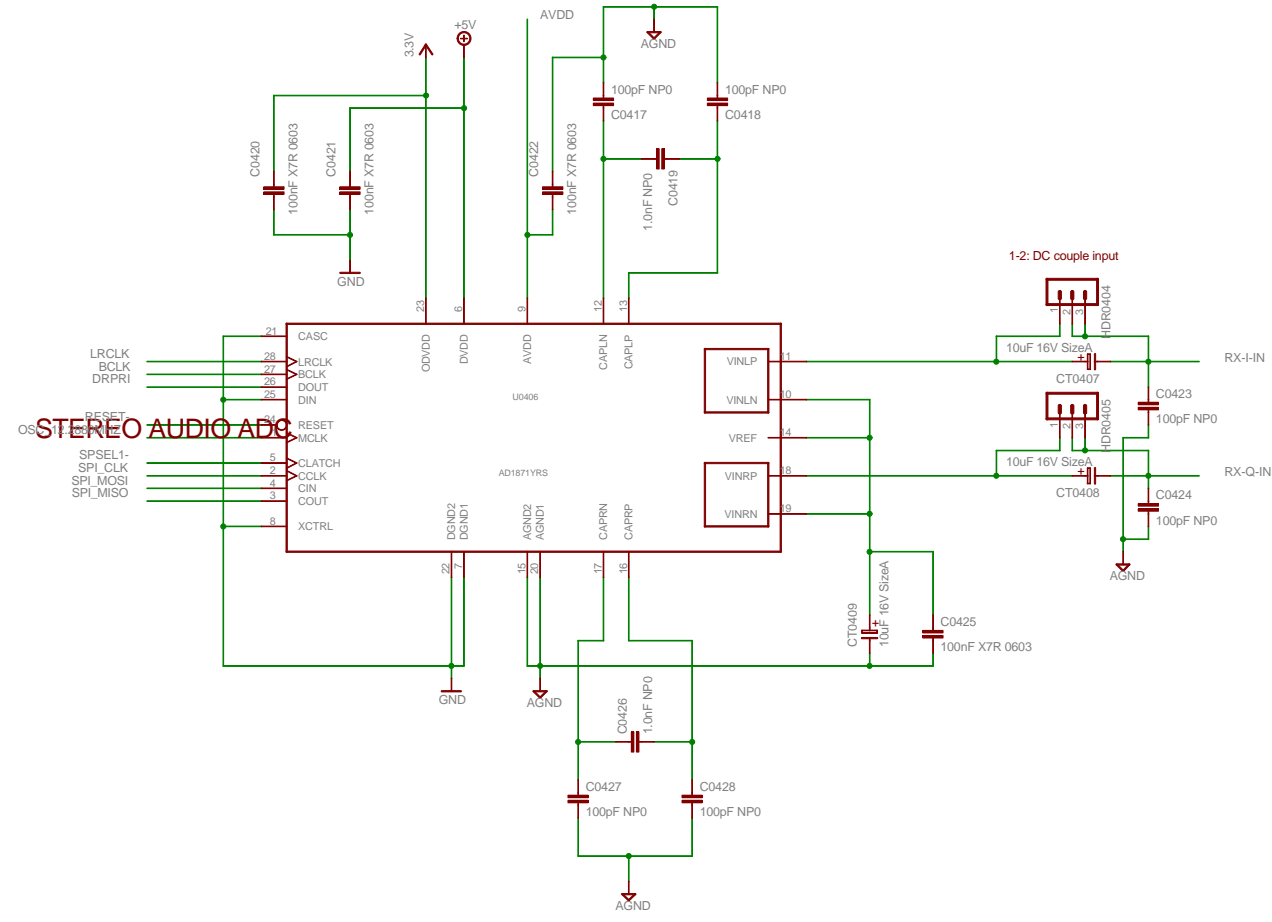
sdr-dsp-io-iq-vga
8/09/2005 20:33:57
Sheet: 1/5





DAC	sdr-dsp-io-iq-vga
	8/09/2005 20:33:57
	Sheet: 3/5

Copyright (c) Matti Aarnio OH2MQK



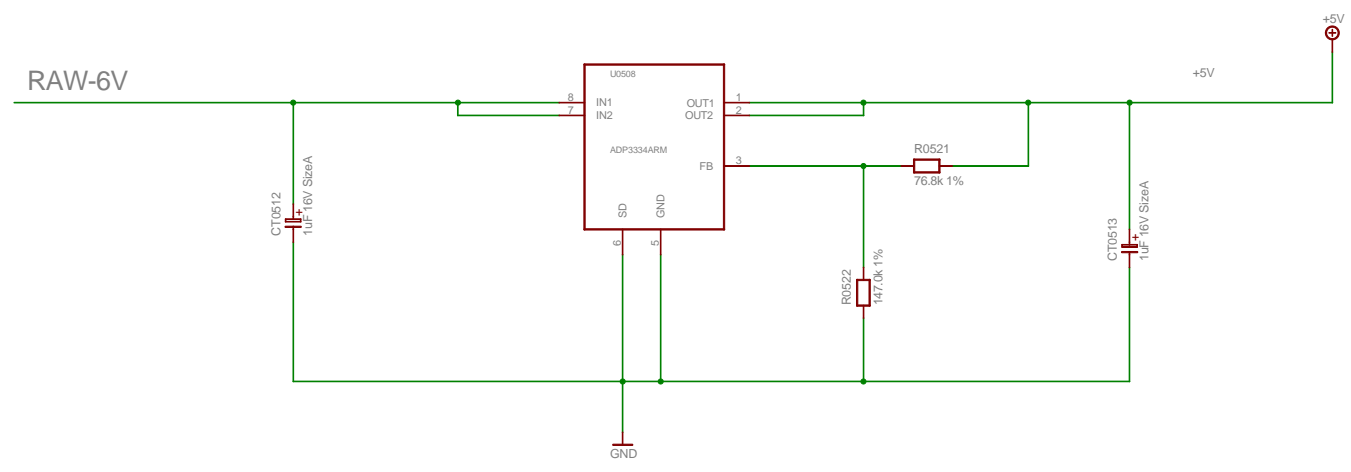
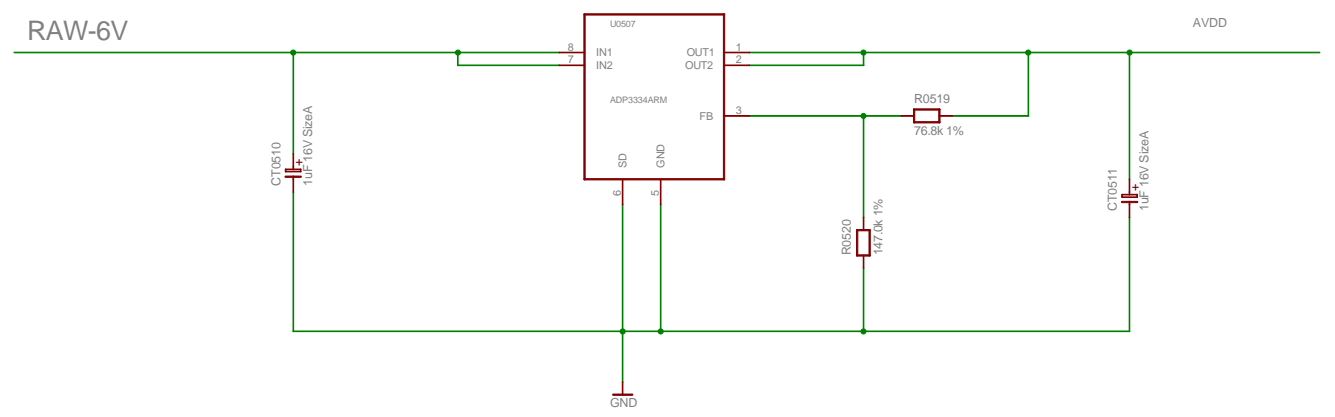
ADC masters LRCLK, and BCLK, which DAC and DSP use.

Copyright (c) Matti Aarnio OH2MQK

ADC

sdr-dsp-io-iq-vga
8/09/2005 20:33:57
Sheet: 4/5

FIX FEEDBACK RESISTOR VALUES!



FIX FEEDBACK RESISTOR VALUES!

Copyright (c) Matti Aarnio OH2MQK

Power

sdr-dsp-io-iq-vga  
8/09/2005 20:33:57  
Sheet: 5/5