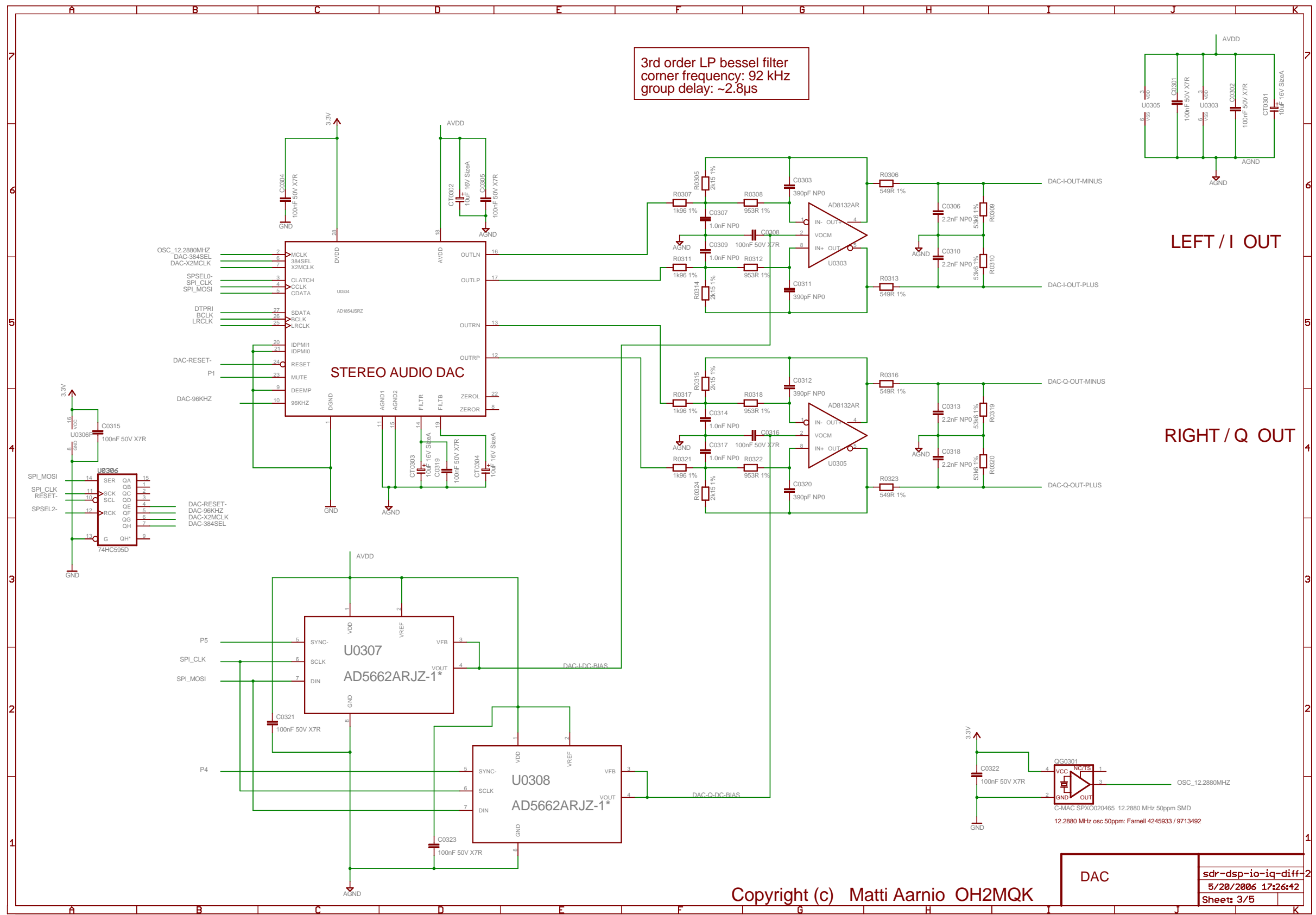
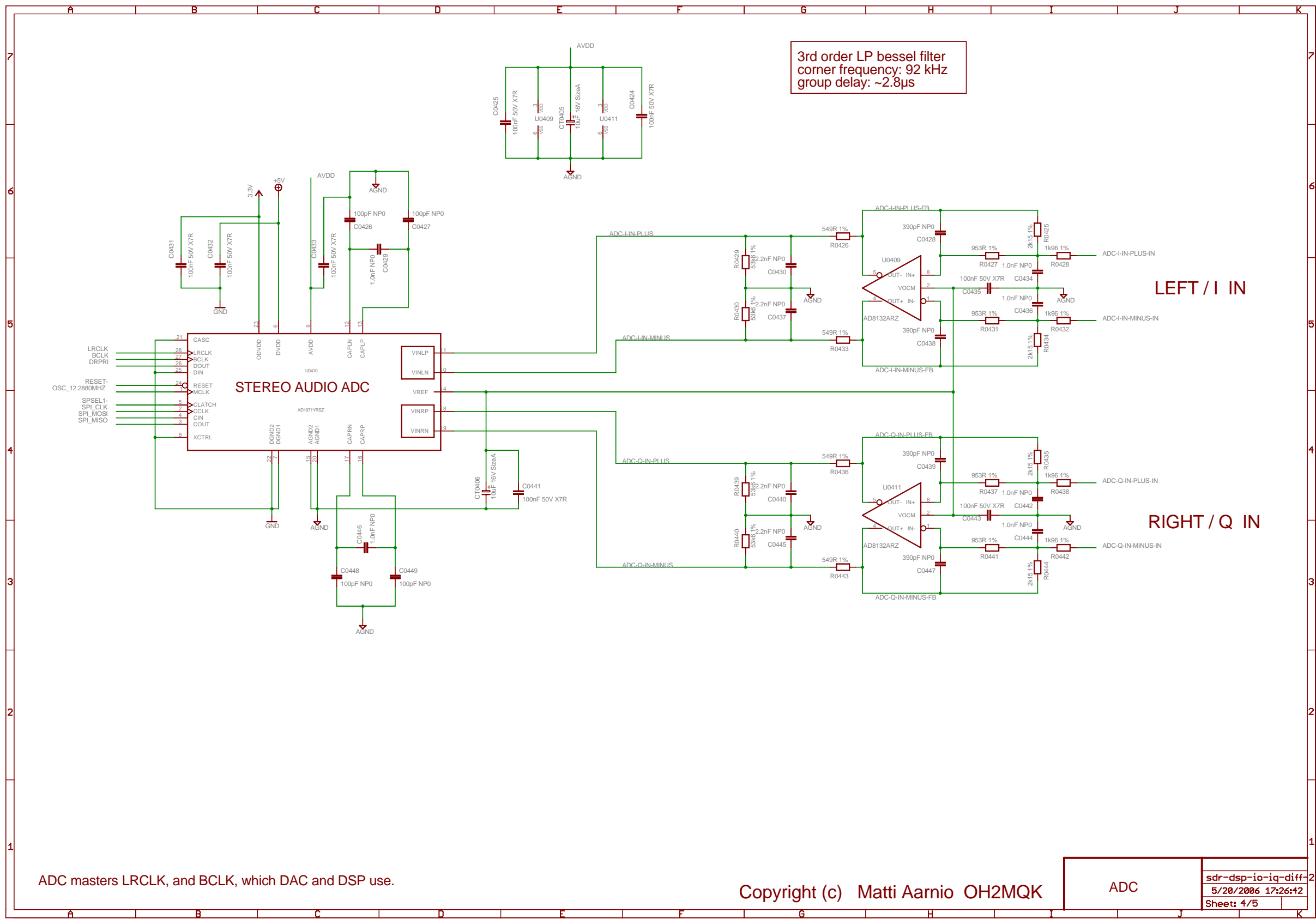
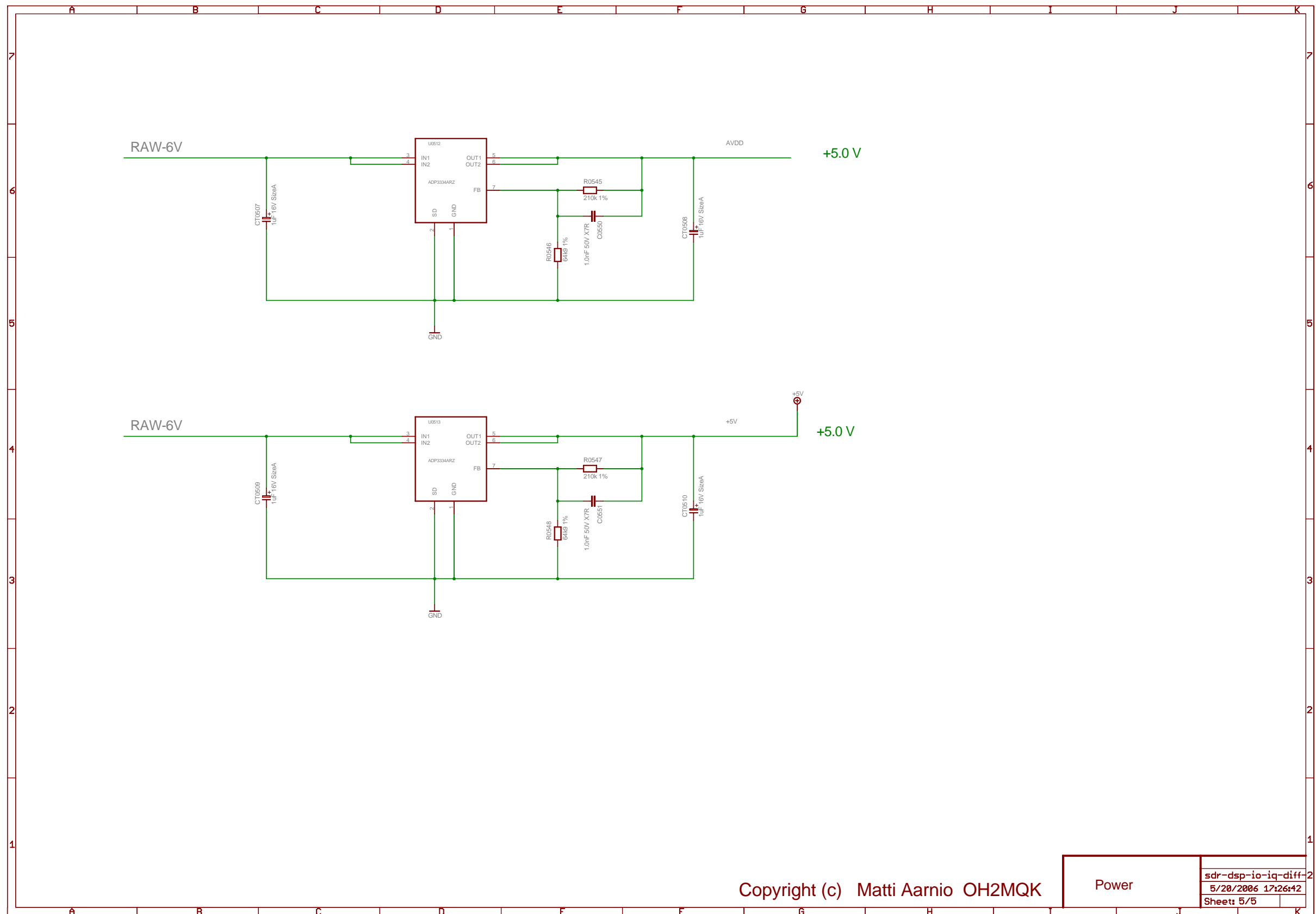


Copyright (c) Matti Aarnio OH2MQK

PCB geometry, connectors	sdr-dsp-io-iq-diff-2
	5/20/2006 17:26:42
	Sheet: 2/5







Copyright (c) Matti Aarnio OH2MQK

Power

sdr-dsp-io-iq-diff-2
5/20/2006 17:26:42
Sheet: 5/5